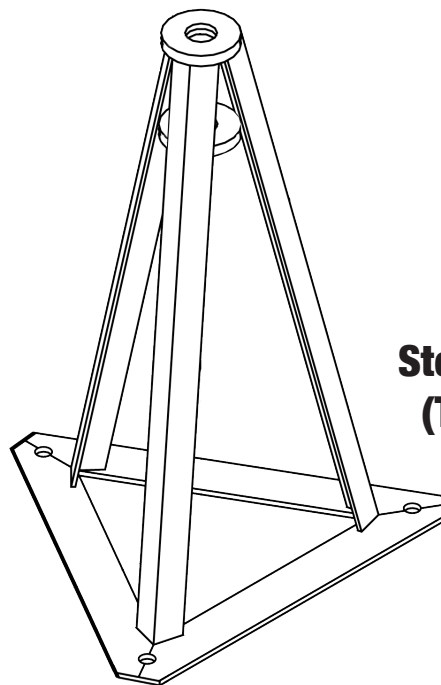
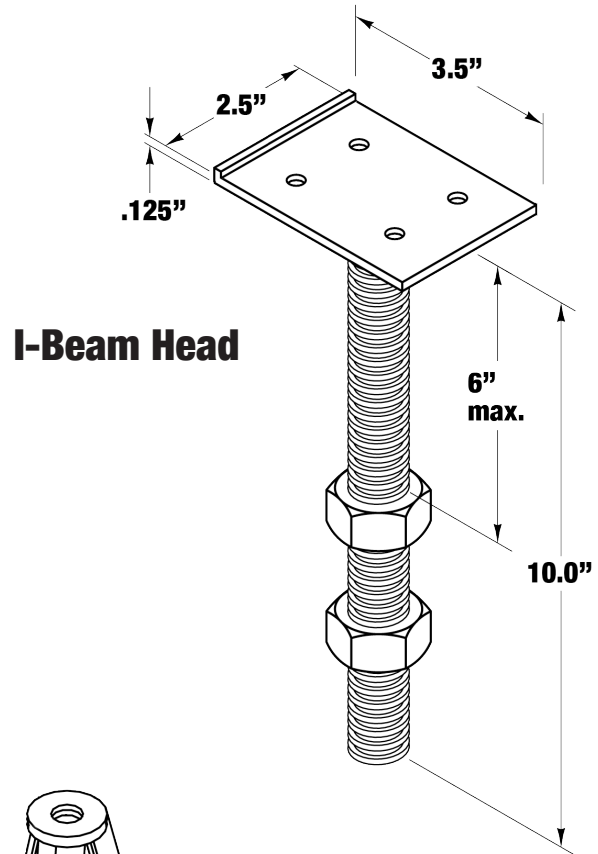




# PIER INSTALLATION INSTRUCTIONS

pii-01a

1. Prepare a level surface at the location of each pier to insure a full contact for the footing pad. Use the appropriate size pad for the load required. Refer to the manufacturers' set up manual (and/or engineering documents, as applicable) for specific loads, footing sizes and pier placement.
2. Select the appropriate size piers for the installation by determining the pier height at each support location. Measure from the top of the pad to the bottom of the chassis beam to insure that height is no greater than 36".
3. The maximum adjustment on the threaded rod adjuster for chassis beam support is 6". When more height is needed use the next taller size pier support.
4. Place the pier support in the middle of the center beam or mating line and tighten until snug plus 1/4-1/2 turn.
5. Repeat this installation procedure with each support pier. After all the support piers have been installed, and the home set up has been completed per the manufacturers' setup instructions, you may then remove the safety blocking of other devices used to level the chassis.
6. Anchor piers to concrete footings or pads per your site specific engineering instructions using 3/8" x 4" heavy duty concrete anchors.



**Steel Support Pier  
(The Pieramid®)**