

## Fig. 65 and Fig. 66 Reversible C-Type Beam Clamps 3/4" and 1 1/4" Throat Openings

**Size Range** — (Fig. 65 and Fig. 66) 3/8", 1/2" and 5/8" rod

**Material** — Carbon Steel with hardened cup point set screw and jam nut

**Function** — Recommended for hanging from steel beam where flange thickness does not exceed 3/4" (Fig. 65) or 1 1/4" (Fig. 66).

**Features** — All steel construction eliminates structural deficiencies associated with casting type beam clamps. May be used on top or bottom flange of the beam. (Beveled lip allows hanging from top flange where clearance is limited.) May be installed with set screw in up or down position. Offset design permits unlimited rod adjustment by allowing the rod to be threaded completely through the clamp. Open design permits inspection of thread engagement.

**Approvals** — Underwriters' Laboratories Listed in the USA (**UL**) and Canada (**cUL**). Exceeds requirements of the National Fire Protection Association (NFPA), Pamphlet 13, 3/8" rod will support 1/2" thru 4" pipe, 1/2" rod will support 1/2" thru 8" pipe. Included in our Seismic Restraints Catalog approved by the State of California Office of Statewide Health Planning and Development (OSHPD). For additional load, spacing and placement relating to OSHPD projects, please refer to the TOLCO Seismic Restraint Systems Guidelines.

**Finish** — Plain

**Note** — Available in Electro-Galvanized and HDG finish.

**Order By** — Figure number, rod size and finish

Fig. 65 Patent #4,570,885

Component of State of California OSHPD Approved Seismic Restraints System **UL** US LISTED

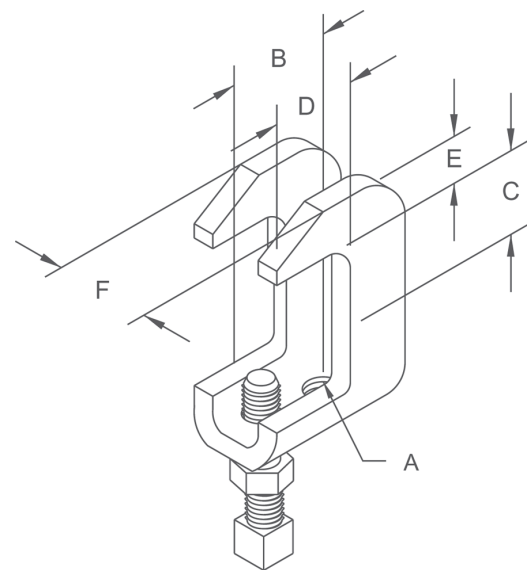
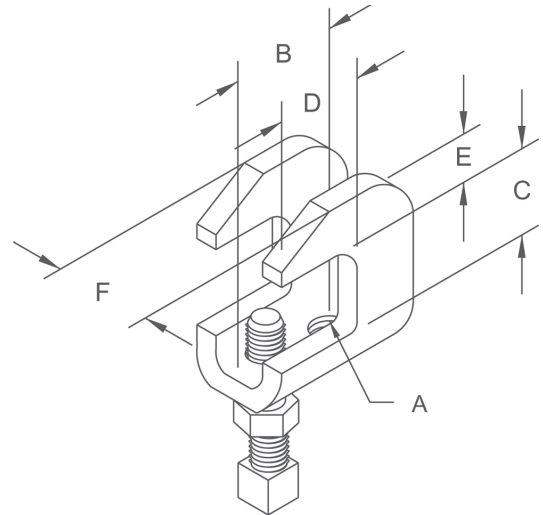


Fig. 65

### Dimensions • Weights

Rod Size A	B	C	D	E	F	Max. Rec. Load Lbs.*	Approx. Wt./100
3/8	1 3/16	3/4	1	7/16	1	610	28
1/2	1 1/2	3/4	1	9/16	1 1/4	1130	55
5/8	1 1/2	3/4	1	9/16	1 1/4	1130	55

\* Max. loads for clamp with set screw in up or down position.

Fig. 66

### Dimensions • Weights

Rod Size A	B	C	D	E	F	Max. Rec. Load Lbs.*	Approx. Wt./100
3/8	1 3/16	1 1/4	1	7/16	1	610	28
1/2	1 1/2	1 1/4	1	9/16	1 1/4	1130	55
5/8	1 1/2	1 1/4	1	9/16	1 1/4	1130	55

\* Max. loads for clamp with set screw in up or down position.